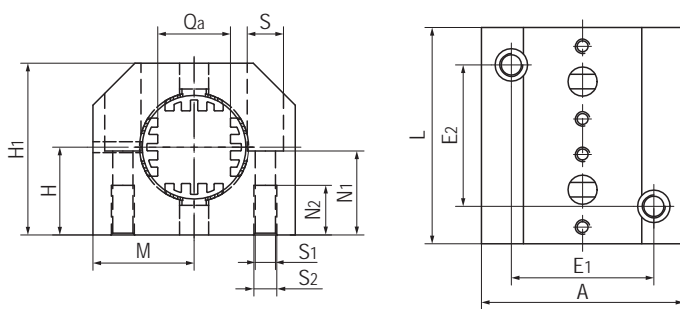


LIN-12QBL 加长型塑料直线轴承座 Plastic linear pillow blocks, Long design



- 封闭式加长型枕块设计
 - 装配2个LIN-12Q滑动膜
 - 阳极氧化铝合金适配器
 - 承受扭矩高达10 Nm
 - 免维护、低噪音
 - 适用于污垢或灰尘环境
 - 使用温度-50℃/+90℃
- Closed block design and increased the guide length
 - Assembled 2pcs liners LIN-12Q
 - Anodized aluminum adapter
 - Torque absorption up to 10 Nm
 - Maintenance-free and low noise
 - Resistance to dirt and dust
 - Operation temperature -50℃/+90℃

标准规格 Standard specifications



产品编码 Part No.:

LIN-12QBL-20

内孔尺寸 Inner dimension

加长型设计滑块 Long design block

LIN-12Q 标准滑动膜
Standard liners LIN-12Q

| 产品编码 Part No. | Qa [mm] | H [mm] | H ₁ [mm] | A [mm] | M ± 0.02 [mm] | E ₁ [mm] | E ₂ [mm] | S [mm] | S ₁ [mm] | S ₂ [mm] | N ₁ [mm] | N ₂ [mm] | L [mm] |
|------------------|------------|-----------|------------------------|-----------|------------------|------------------------|------------------------|-----------|------------------------|------------------------|------------------------|------------------------|-----------|
| LIN-12QBL-20 | 20 | 27 | 54 | 62 | 31 | 48 | 55 | 11 | 6.6 | M8 | 26 | 18 | 85 |

| 产品编码 Part No. | 内孔尺寸 Inner dimension [mm] | F max. [N] 最大动载荷 Dynamic Load P=5MPa | F max. [N] 最大静载荷 Static Load P=35MPa | 最大扭矩 Max. torque [Nm] | 重量 Weight [g] |
|------------------|---------------------------------|--|--|-----------------------------|---------------------|
| LIN-12QBL-20 | 20 | 3000 | 21000 | 10 | 550 |